

ChillBox™ 115V-Series

Fluid Cooled / Heated

CW-1800 / CW-2400 / CW-3000



ChillBox™ Series are built with following standard features.

- Direct Drive Blower
- 3 Speed Air-Over Motor
- Powder Coated Cabinet
- Built In Filter Rack
- Non-Corrosive Hardware
- 304 Stainless Steel Drain Pan With 1/8" Insulation
- Stainless 3/4" NPT Condensate Drain Fitting
- 2 lb. Thermal Acoustic, Anti-Microbial Duct Insulation



REPLACES THE FOLLOWING MANUFACTURERS EQUIPMENT

AeroSys DCW-Series / Magic Aire DVW & DVB-Series

JRJ Manufacturing, LLC

CBCWM-Rev0318

2020 Market Square Blvd, Unit A, Waynesboro, PA 17268 / Phone: 717-941-1180 / Fax: 717-941-1181

ChillBox™ CW-1800 Series



In Keeping With Its Policy Of Continuous Progress And Improvements. JRJ Manufacturing Reserves The Rights To Make Changes Without Notice And Incurring Obligation

1.5 Ton Capacity

COOLING

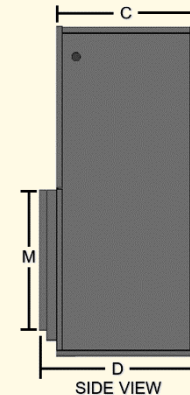
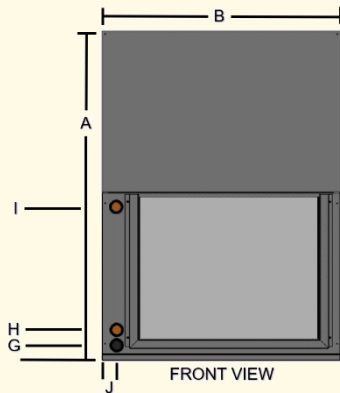
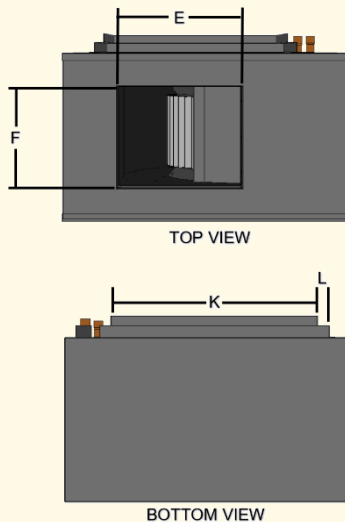
Standard Pump @ 3.5 GPM With Nominal Airflow

CFM	42°F Entering Water Temperature	45°F Entering Water Temperature	48°F Entering Water Temperature
	Capacity = Total / Sensible	Capacity = Total / Sensible	Capacity = Total / Sensible
500	17,250 / 12,770	15,455 / 12,025	13,816 / 11,431
600	18,350 / 14,170	16,555 / 13,425	14,816 / 12,739
700	19,350 / 15,470	17,455 / 14,625	15,716 / 13,926

HEATING

Standard Pump @ 3.5 GPM With Nominal Airflow
(Air Temperature Leaving The Unit Must Not Exceed 140 °F)

CFM	120°F Entering Water Temperature	140°F Entering Water Temperature	180°F Entering Water Temperature
	500	26,700	40,400
600	29,900	45,200	60,700
700	32,600	49,300	66,200



Representative Drawing Only. Some Models May Vary In Appearance.

CW-1815-00					
A	29"	J	1-1/2"	S	--
B	24"	K	18"	T	--
C	14"	L	1"	U	--
D	15-7/8"	M	14-7/16"	V	--
E	10-1/2"	N	--	W	--
F	8-1/2"	O	--	X	--
G	1-3/8"	P	--	Y	--
H	3"	Q	--	Z	--
I	16"	R	--		

Cross Reference	
JRJ	CW-1815-00
AeroSys	DCW-20-115V
Magic Aire	DVW600 DVB06

		CW-1815-00			
		Speed	Low	Med	High
Airflow	External Static Pressure	0.1	584	725	855
	External Static Pressure	0.2	565	695	810
	External Static Pressure	0.3	540	660	765
	External Static Pressure	0.4	525	620	725
	External Static Pressure	0.5	505	575	675
Motor	Amps At 110-115/1/60		5.9	4.6	2
	HP		1/3	1/3	1/3
Pipe	Coil Connection		5/8" ODS		
	Condensate Drain		3/4" SS - NPT Thread		
Filter	1" Thick (Nominal)		12" X 20"		
Weight	(Unit Only)		73 lbs		

JRJ Manufacturing, LLC

CBCW18-Rev0318

2020 Market Square Blvd, Unit A, Waynesboro, PA 17268 / Phone: 717-941-1180 / Fax: 717-941-1181



ChillBox™ CW-2400 Series

In Keeping With Its Policy Of Continuous Progress And Improvements. JRJ Manufacturing Reserves The Rights To Make Changes Without Notice And Incurring Obligation

2.0 Ton Capacity

COOLING

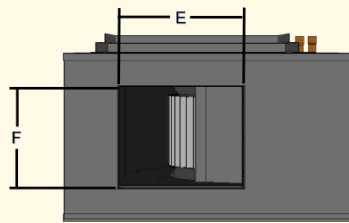
Standard Pump @ 3.5 GPM With Nominal Airflow

CFM	42°F Entering Water Temperature	45°F Entering Water Temperature	48°F Entering Water Temperature
	Capacity = Total / Sensible	Capacity = Total / Sensible	Capacity = Total / Sensible
700	23,950 / 17,770	21,555 / 16,825	19,216 / 15,927
800	25,150 / 19,170	22,655 / 18,225	20,316 / 17,231
900	26,150 / 20,470	23,555 / 19,425	21,216 / 18,521

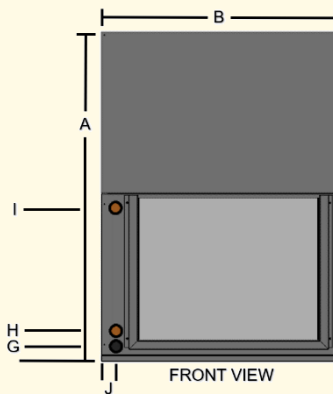
HEATING

Standard Pump @ 3.5 GPM With Nominal Airflow (Air Temperature Leaving The Unit Must Not Exceed 140 °F)

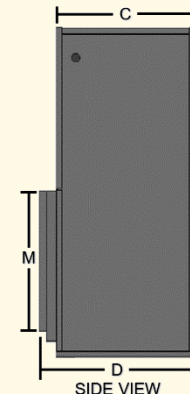
CFM	120°F Entering Water Temperature	140°F Entering Water Temperature	180°F Entering Water Temperature
700	34,800	52,700	70,700
800	37,400	56,600	76,200
900	39,700	60,300	81,000



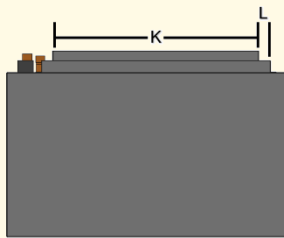
TOP VIEW



FRONT VIEW



SIDE VIEW



BOTTOM VIEW

Representative Drawing Only. Some Models May Vary In Appearance.

CW-2415-00					
A	33"	J	1-1/2"	S	--
B	24"	K	18"	T	--
C	14"	L	1"	U	--
D	15-7/8"	M	16-7/16"	V	--
E	10-1/2"	N	--	W	--
F	8-1/2"	O	--	X	--
G	1-3/8"	P	--	Y	--
H	3"	Q	--	Z	--
I	16"	R	--		

Cross Reference	
JRJ	CW-2415-00
AeroSys	DCW-26-115V
Magic Aire	DVW800 DVB08

		CW-2415-00			
		Speed			
		Low	Med	High	
Airflow	External Static Pressure	0.1	640	885	1,030
	External Static Pressure	0.2	635	850	975
	External Static Pressure	0.3	630	815	925
	External Static Pressure	0.4	615	775	870
	External Static Pressure	0.5	580	735	815
Motor	Amps At 110-115/1/60	5.9	4.6	2	
	HP	1/3	1/3	1/3	
Pipe	Coil Connection	5/8" ODS			
	Condensate Drain	3/4" SS - NPT Thread			
Filter	1" Thick (Nominal)	16" x 20"			
Weight	(Unit Only)	79 lbs			

ChillBox™ CW-3000 Series



In Keeping With Its Policy Of Continuous Progress And Improvements. JRJ Manufacturing Reserves The Rights To Make Changes Without Notice And Incurring Obligation

2.5 Ton Capacity

COOLING

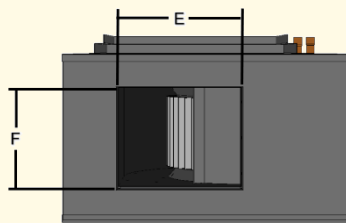
Standard Pump @ 3.5 GPM With Nominal Airflow

CFM	42°F Entering Water Temperature	45°F Entering Water Temperature	48°F Entering Water Temperature
	Capacity = Total / Sensible	Capacity = Total / Sensible	Capacity = Total / Sensible
900	26,550 / 18,990	23,885 / 17,875	21,272 / 16,775
1,000	27,950 / 20,490	25,185 / 19,375	22,472 / 18,277
1,100	29,150 / 21,990	26,285 / 20,775	23,572 / 19,672

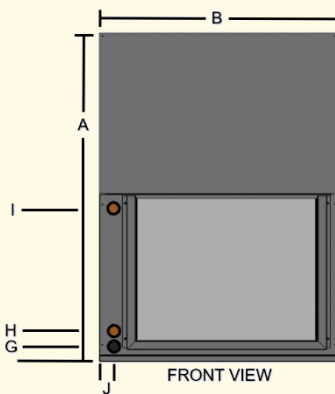
HEATING

Standard Pump @ 3.5 GPM With Nominal Airflow (Air Temperature Leaving The Unit Must Not Exceed 140 °F)

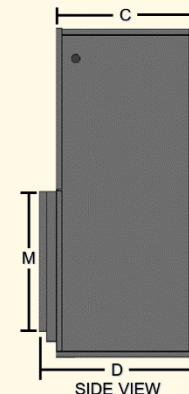
CFM	120°F Entering Water Temperature	140°F Entering Water Temperature	180°F Entering Water Temperature
	900	40,200	61,000
1,000	41,800	63,800	85,900
1,100	44,100	66,400	89,500



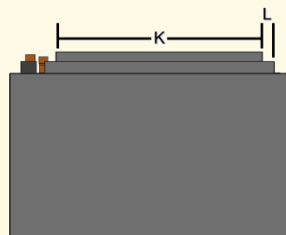
TOP VIEW



FRONT VIEW



SIDE VIEW



BOTTOM VIEW

Representative Drawing Only. Some Models May Vary In Appearance.

CW-3015-00					
A	34-7/8"	J	1-1/2"	S	--
B	29"	K	23"	T	--
C	15"	L	1"	U	--
D	16-7/8"	M	16-7/16"	V	--
E	11-7/8"	N	--	W	--
F	8-1/2"	O	--	X	--
G	1-3/8"	P	--	Y	--
H	3"	Q	--	Z	--
I	16"	R	--		

Cross Reference	
JRJ	CW-3015-00
AeroSys	DCW-32-115V
Magic Aire	DVW1,000 DVB10

		CW-3015-00			
		Speed	Low	Med	High
Airflow	External Static Pressure	0.1	810	1,105	1,290
	External Static Pressure	0.2	805	1,060	1,220
	External Static Pressure	0.3	800	1,020	1,155
	External Static Pressure	0.4	770	970	1,085
	External Static Pressure	0.5	730	920	1,015
Motor	Amps At 110-115/1/60		5.9	4.6	3
	HP		1/3	1/3	1/3
Pipe	Coil Connection		3/4" ODS		
	Condensate Drain		3/4" SS - NPT Thread		
Filter	1" Thick (Nominal)		16" x 25"		
Weight	(Unit Only)		92 lbs		

JRJ Manufacturing, LLC

CBCW30-Rev0318

2020 Market Square Blvd, Unit A, Waynesboro, PA 17268 / Phone: 717-941-1180 / Fax: 717-941-1181